

DALLAS FENCE

ITEM : 000001 VER : 0 USA

IMPORTANT: You must read these instructions carefully before you start to assemble this fence. Please carry out the steps in the order set out in these instructions. Keep these instructions in a safe place for future reference.

GENERAL INFORMATION: The Keter Fence is easy to install. We incorporate methods and procedures used by professional installers to guide you through to the successful completion of your fence.

GENERAL ADVICE: This is a 2 person assembly job. If it is a property line fence, you will want to confirm your property lines before ordering your fence. The component parts should be checked and laid out in an orderly way, close at hand. Keep all small parts (screws, etc.) in a bowl so that they do not get lost. Please keep the tracking number which appears on the box, and refer to this number when calling the service office for questions or complaints.

CARE & MAINTENANCE: When your fence needs a clean, use a mild detergent solution and rinse with cold clean water. DO NOT use acetone, abrasive cleaners or other special detergents to clean the fence.

For general support and replacement parts, please contact :

U.S: Call Toll Free: 1-(888)-374-4262, fax 317-575-4502, 11495 North Pennsylvania ST., Suite 110 Carmel, Indiana, 46032, U.S.A

Canada: Tel: 514-7486-721, Fax: 514-7487-793, E-mail: jessicaz@accenthome.com

United Kindom: Keter (UK) Ltd. Unit 4, Woodgate Business Park, Clapgate Lane, Birmingham, B32 3DB, United Kindom. Tel: 0121-5060008, Fax: 0121-4220808

The Netherlands: Keter Benelux, Ericssonstraat 17, Postbus 224, 5120 AE Rijen, The Netherlands. Tel: 31-1612-28301, Fax: 31-1612-28322

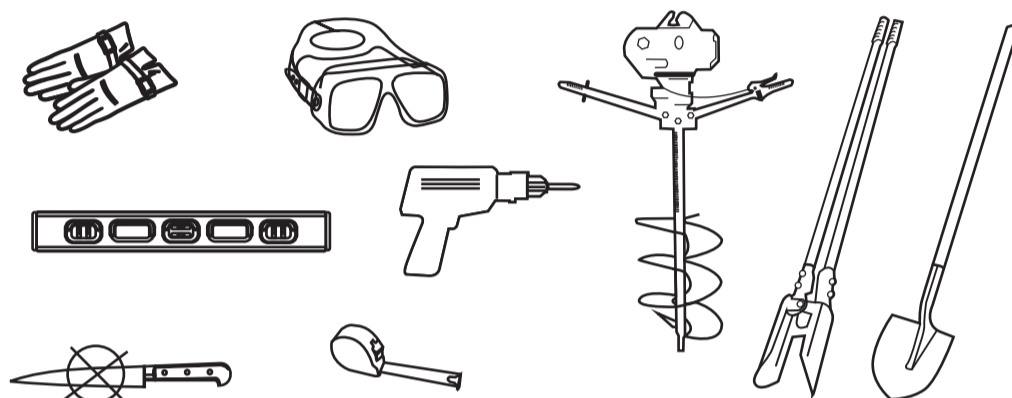


www.keter.co.il

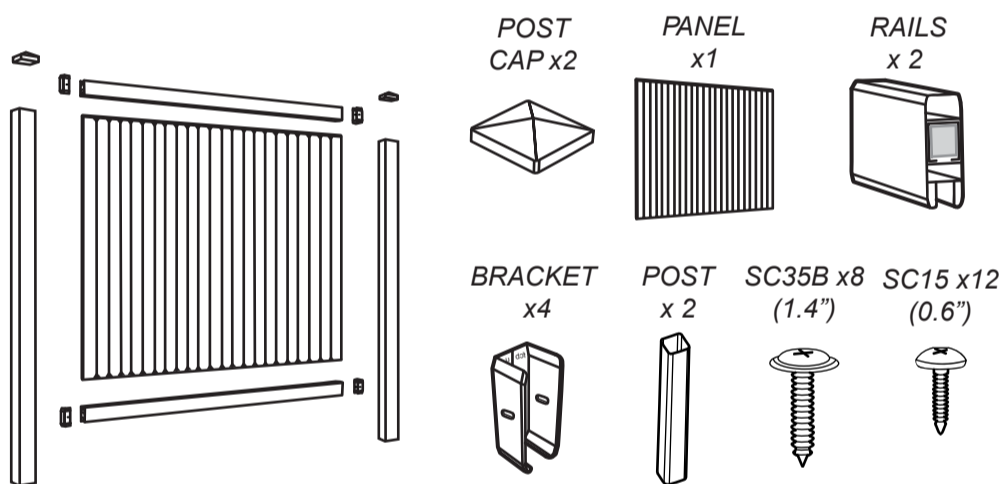
A-13-00 544993

TOOLS & MATERIALS

string line
post hole digger / power auger
mallet
work shoes
4 timber stakes 2"x 2"x24" (5cm x 5cm x 60cm)
concrete / dry mix

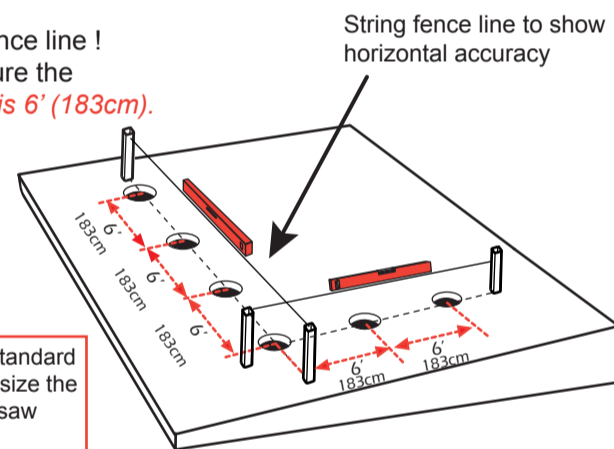


PARTS & DIMENSION



PROJECT PLANNING

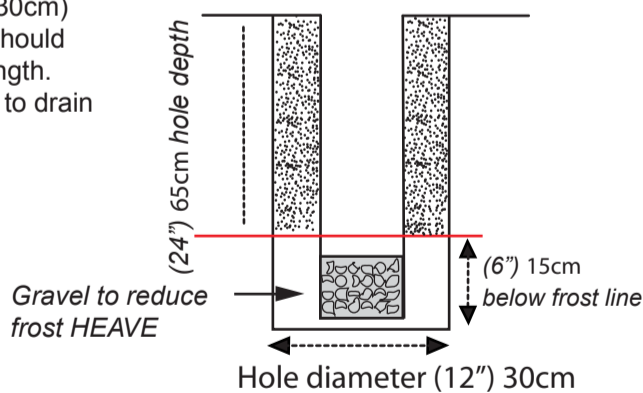
1. Stake out fence from beginning to end.
2. Estimate the ground level.
3. Start at the **highest side** of the fence line !
4. Dig hole under post line. make sure the **distance between holes centers is 6' (183cm)**.



For fence sections that are less than the standard 6' (183 cm) center-to-center, simply cut to size the rails and the fence panels, using a power saw (use metal fit blade).

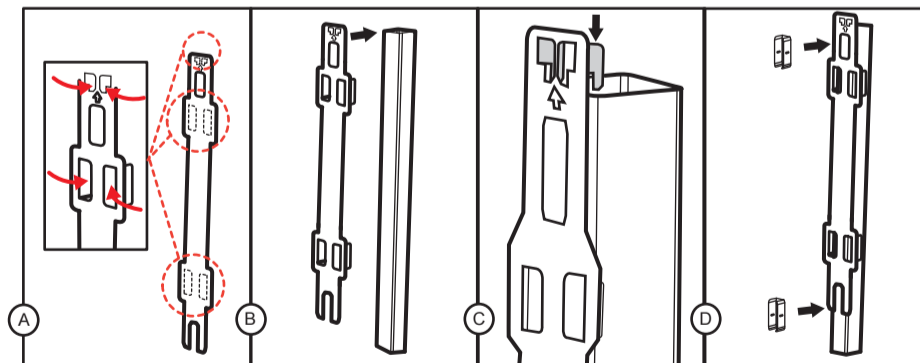
GENERAL ADVICE ON POST HOLES

Using post hole digger or power auger or simple shovel dig the hole 12" (30cm) in diameter. Main and gate posts should be 6" (15cm) deeper for extra strength. Backfill each hole with 6" of gravel to drain water away.



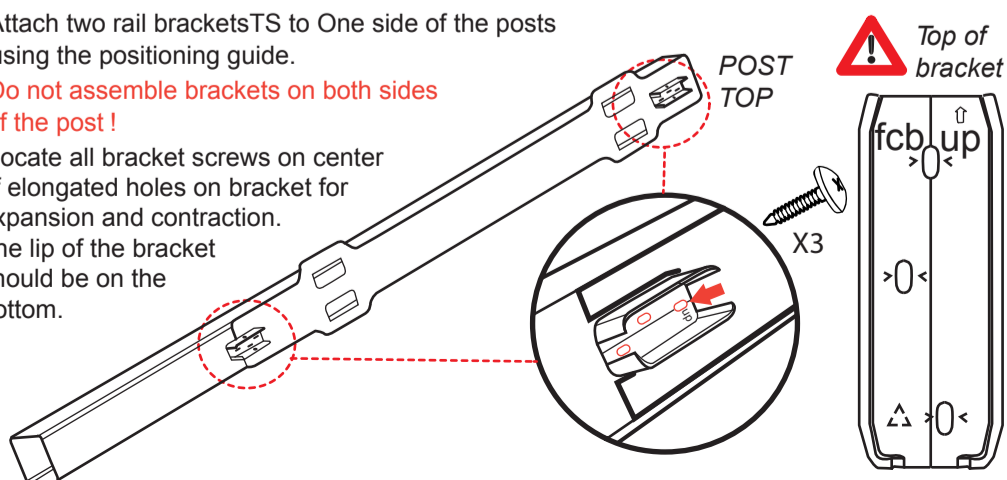
POSITIONING GUIDE

1. Use the **positioning guide** to place the brackets .
- A. **fold the positioning guide wings.**
- B. **Attach the positioning guide to the post as shown.**
- C. **Place the bracket within the positioning guide holes.**



BRACKETS ASSEMBLY

1. Attach two rail bracketsTS to One side of the posts using the positioning guide.
2. **Do not assemble brackets on both sides of the post !**
3. Locate all bracket screws on center of elongated holes on bracket for expansion and contraction. The lip of the bracket should be on the bottom.



FIXING FIRST POST

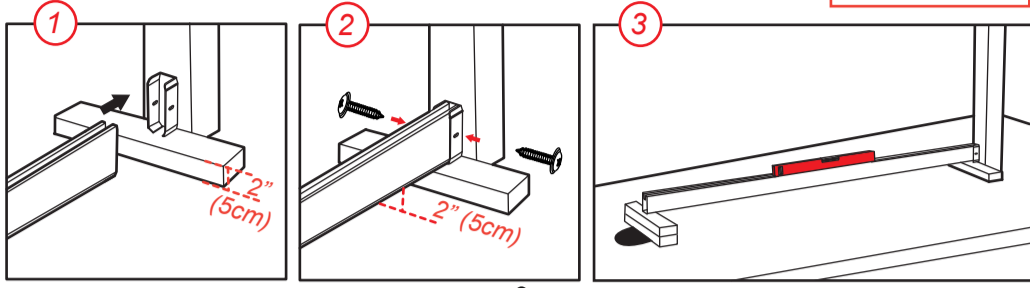
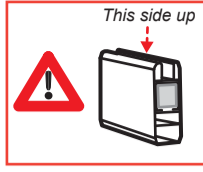
Place first post in the hole, checking that it satisfies ALL the following conditions:

- A. Position the first post at the highest ground point of the fence line!
- B. Place 2" (5cm) timber, under the bracket to maintain the gap between the fence and the ground.
- C. Check for VERTICAL in two directions.
- D. Fill the hole with concrete leaving a slope for water drainage.
- E. Allow concrete to set for 10-15 minutes

FIXING FIRST RAIL

6

1. Place the lower rail in position.
2. Fix the rail to the post with 2 screws (SC35B), through the bracket holes.
3. level the rail horizontally use a timber to support.

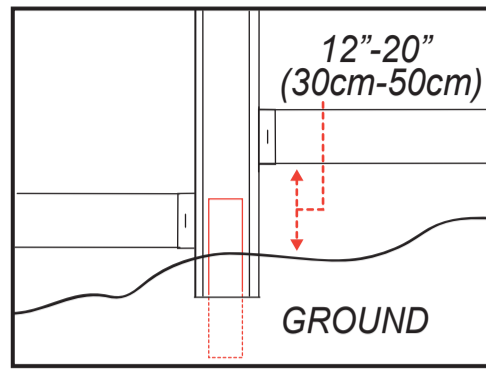


Make sure the rail is leveled horizontally & 90° to the second post

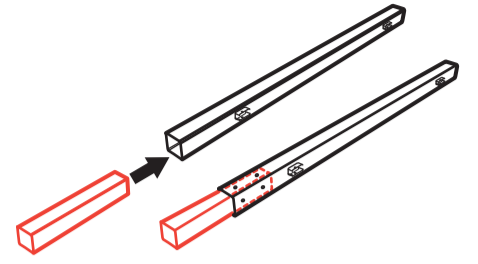
EXTENDING THE POST

7

The post must be at least 12" In ground if you have a slope that is over 12" you **must extend** the post with timber as shown.



(use 4"/4"/24", 10cm/10cm/65cm timber 8 screw)

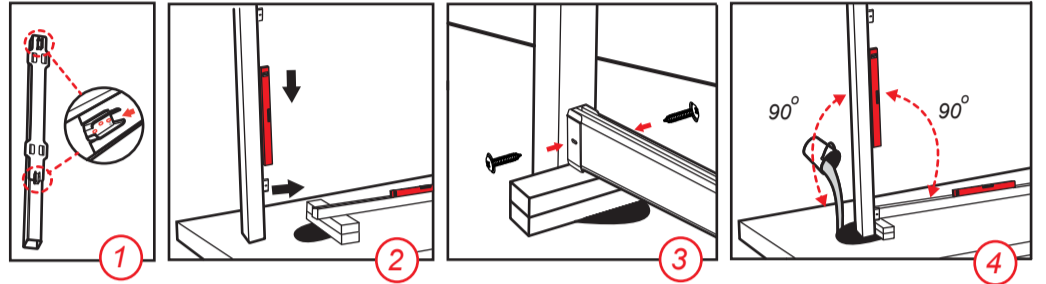


FIXING NEXT POST (Take into account level, downward and upward slopes)

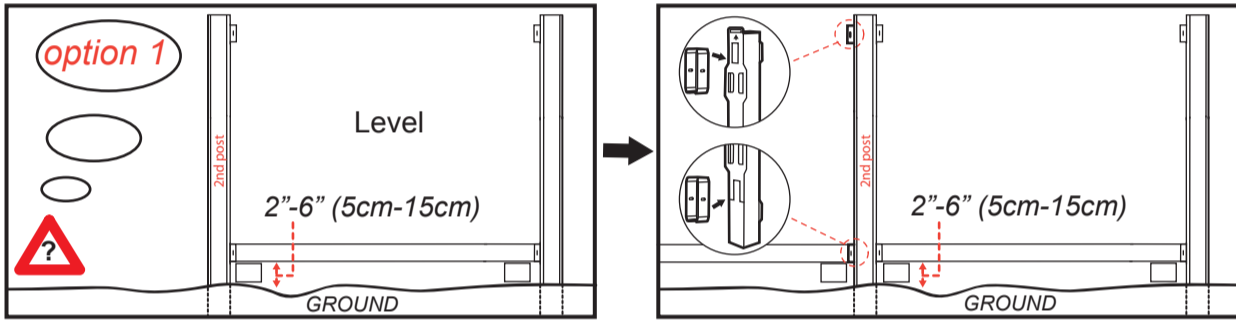
8

1. Attach two brackets to the post using the positioning guide.
2. place the post in the hole
3. Fix the post to the rail with 2 screws (SC35B), through the bracket holes.
4. Add Concrete use dry or mix concrete. Allow concrete to set for 10-15 minutes.

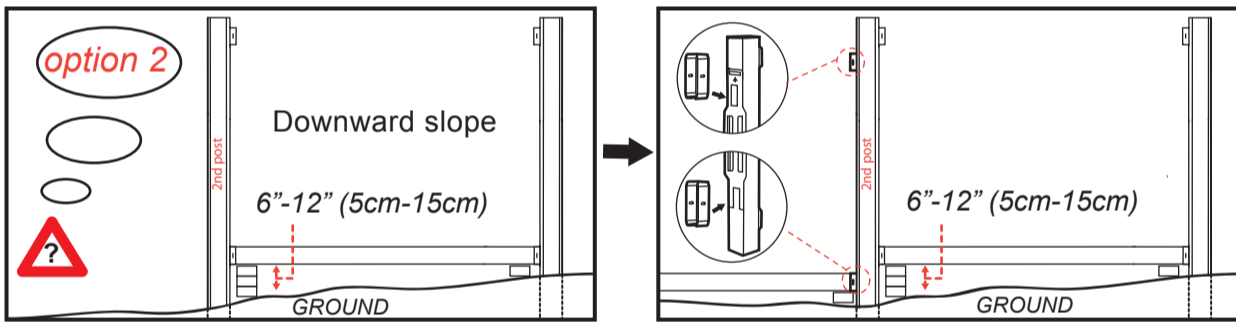
Verify that rail is leveled and post is vertical on both direction !



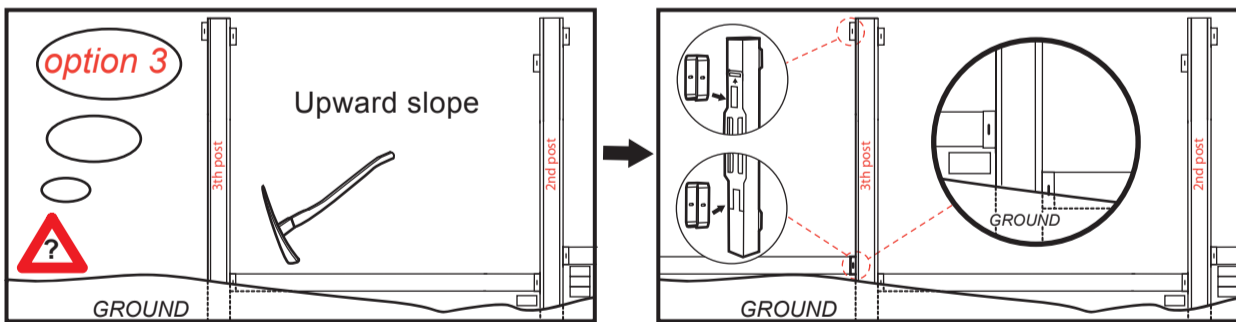
Position the brackets on the empty side (In continuation direction) of the post considering the 3 following options: folow



2"-6" (5cm-15cm) place the positioning guide from top of the post & fix the brakets 3 screw (sc15) for each.



6" (15cm) And up, place the lower bracket 2" (5cm) from ground use positioning guide for the second bracket.

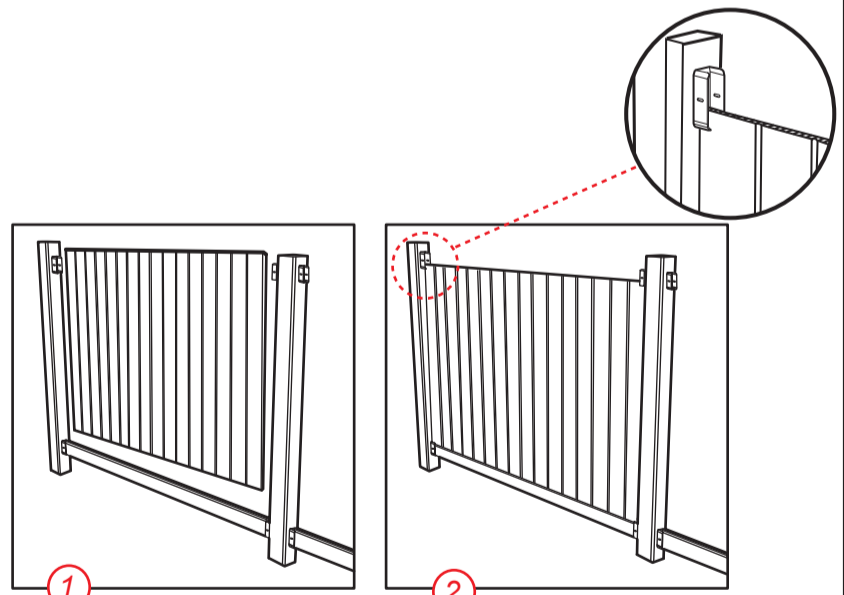


In the case of upward slope, connect the brackets 2" (5cm) up and/or position the new post lower while digging a trench for the rail.

Make sure (using the positioning guide) that upper bracket on the left side is not out of the post top.

INSTALLING FENCE SECTION

9

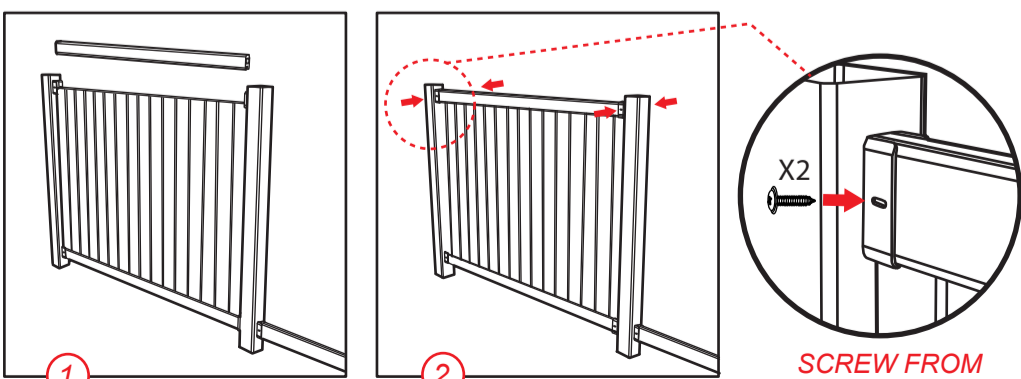


1. Assemble the first panel into the bottom rail.

2. Make sure the panel goes into the brackets.

INSTALLING FENCE SECTION

10



Assemble the upper rail on top of the panel.

Use two screws to fix the rail to the bracket

SCREW FROM BOTH SIDES

ATTACH POST CAPS.

11

1. Press caps down on post top.
2. you can secure the caps with super glue

